

## Salamanders

### Electric Salamander, open on 3 sides - 600 mm

ITEM # \_\_\_\_\_

MODEL # \_\_\_\_\_

NAME # \_\_\_\_\_

SIS # \_\_\_\_\_

AIA # \_\_\_\_\_



**283018 (Z0UUCEBOMOH)** Electric Salamander, open on 3 sides, plate detention system, 600 mm, accept GN 1/1

**283019 (Z0UUCDBOMOH)** Electric Salamander, open on 3 sides, plate detention system, 600 mm, accept GN 1/1

### Short Form Specification

#### Item No.

Constructed in AISI 304 stainless steel. Table top model can be hanged on the wall with wall brackets (optional). Open on 3 sides. 2 individually controlled cooking zones heated by high efficient infrared heating elements. No preheating needed, reduced heat emission in the kitchen. Control knob to set cooking time (from 0 to 99 minutes) showed on digital display. Touch-controlled plate detecting bar to activate heating elements. Air vents along the upper side for evacuating heat and smoke. Movable plate, sliding smoothly up and down along a rail system. Removable chromed steel cooking grid and stainless steel grease collecting container.

### Main Features

- 2 independent high-efficient tungsten filament heating elements allowing to heat up a half or full cooking surface.
- Fast heat up: about 20 seconds to work at full performance.
- Cooking plate size: 600x350 mm accept GN 1/1.
- Touch-controlled plate detecting bar switches on the salamander when the plate is placed in the appliance and switches it off when when the plate is removed.
- Control panel with a knob and digital display to set the cooking time.
- Timer can be set from 0 to 99 minutes and interrupts electricity supply at the end of cooking time.
- Set time can be stored to simplify the repetition of similar cooking cycles.
- START and STOP touch button.

### Construction

- Made of AISI 304 stainless steel.
- Air vents along the upper side for evacuating heat and smoke.
- Removable stainless steel drip tray.
- Movable upper plate.
- Chromium-plated steel grid with a safety stop to avoid accidental fall.
- Table top unit can be wall mounted with dedicated optional accessory.
- 4 rubber feet.

### Sustainability

- This model is compliant with Swiss Energy Efficiency Ordinance (730.02).

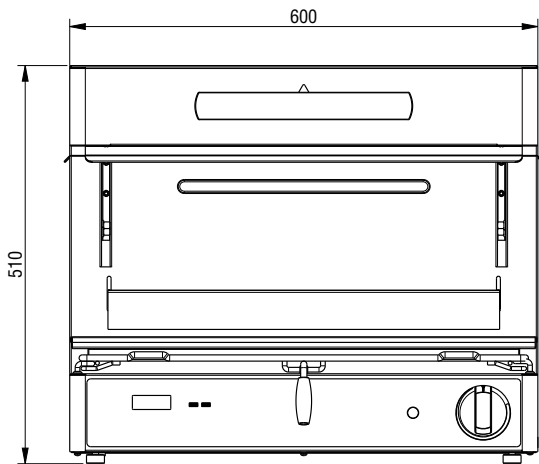
### Optional Accessories

- Wall mounted brackets kit for salamanders open on 3 sides PNC 283035

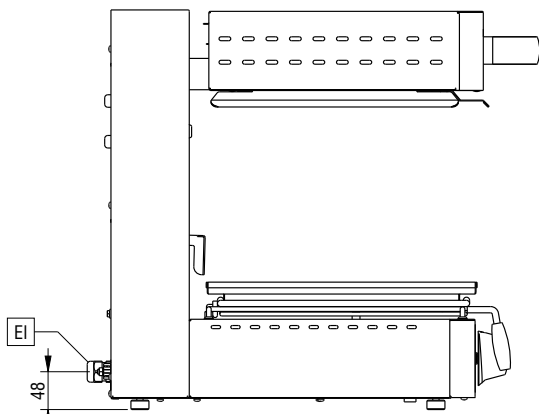
APPROVAL: \_\_\_\_\_

## Salamanders Electric Salamander, open on 3 sides - 600 mm

**Front**

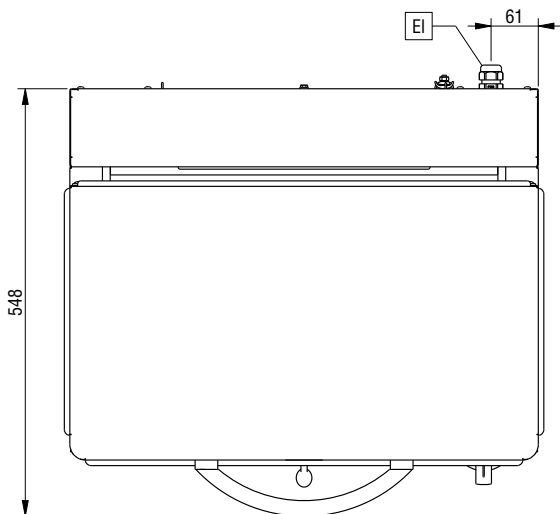


**Side**



EI = Electrical inlet (power)

**Top**



### Electric

**Supply voltage:**

283018 (ZOUUCEBOMOH)

220-240 V/1 ph/50/60 Hz

283019 (ZOUUCDBOMOH)

380-415 V/3N ph/50/60 Hz

**Electrical power max.:**

4 kW

### Key Information:

**External dimensions, Width:** 600 mm

**External dimensions, Depth:** 549 mm

**External dimensions, Height:** 510 mm

**Net weight:** 50 kg